

RADIAL LEADS CERAMIC CAPACITOR



FEATURES

- Capacitance ranging from 0.5pF~330μF
- Voltage rating of 6.3V~3kV
- Size 0805~2225
- Lead-free terminations, RoHS Compliant

»» APPLICATIONS

Typical applications include critical timing, tuning, circuits requiring low loss, circuits with pulse, high current, decoupling, bypass, filtering, transient voltage suppression, blocking and energy storage.

»» ORDERING INFORMATION

CC4 — 0805 — CG — 50V — 100pF — J — H — L — T								
Series	Case size	Dielectric	Rated voltage	Capacitance	Capacitance tolerance	Wire form		Packaging
						Legform	Leglength	
CC4- CLASS II	0805	CG	4V 6.3V	Refer to Capacitance and Rated Voltage Range	<10pF C=±0.25pF D=±0.50pF ≥10pF J=±5%	L	H	See Packaging Style
	1206		10V 16V					
	1210		25V 50V					
	1812		100V 200V					
CT4G- CLASS II	2225	2X1 X5R	250V 500V	630V 1KV 2KV 3KV	K=±10% M=±20%			

»» DIMENSIONS

Size code	0805	0805	1206	1210	1812	2225
Wmax	4.85	4.85	5.86	5.86	7.14	8.62
Hmax	4.16	4.16	4.36	4.80	6.00	8.62
Tmax	3.70	3.70	4.10	4.20	4.20	4.20
F	2.54±0.1	5.08±0.1	5.08±0.1	5.08±0.1	5.08±0.12	5.08±0.12
d	0.5±0.05	0.5±0.05	0.5±0.05	0.5±0.05	0.6±0.05	0.6±0.05
Length(Lmin)	25.4	25.4	25.4	25.4	25.4	25.4
Appearance						
Wire form	L	H	H	H	H	H

RADIAL LEADS CERAMIC CAPACITOR

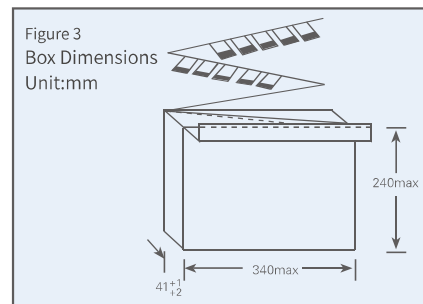
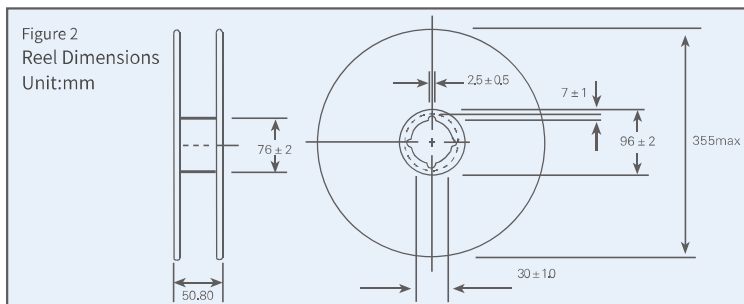
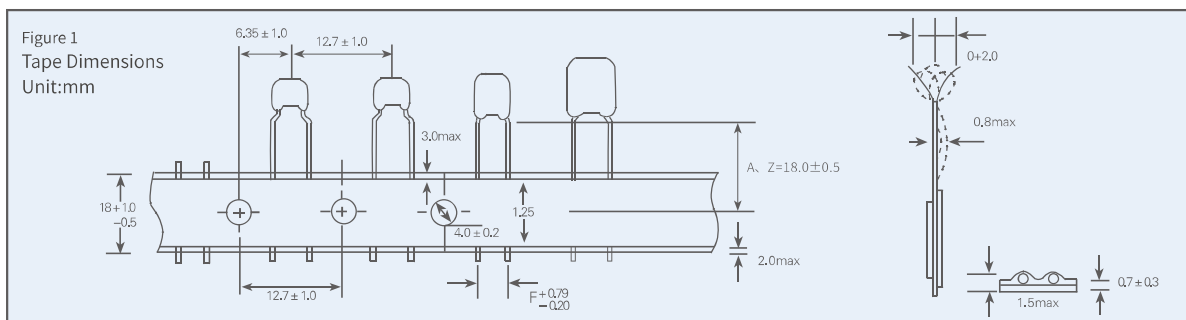
» ELECTRICAL CHARACTERISTICS

NO.	Item		Specification Limits	Measuring Conditions
1	Capacitance		Within specified tolerance	
2	Dissipation Factor	CG	$C_R \leq 30\text{pF}$ $\text{tg } \delta \leq \frac{1}{(400+20C_R)}$ $C_R > 30\text{pF}$ $\text{tg } \delta \leq 10 \times 10^{-4}$	$C_R \leq 1000\text{pF}$ 1MHz $\pm 10\%$ 0.5V~5V $C_R > 1000\text{pF}$ 1kHz $\pm 10\%$ 1V $\pm 0.2\text{V}$
		2X1 X5R	$4\text{V} \leq U_R < 16\text{V}$ $\text{tg } \delta \leq 1000 \times 10^{-4}$ $16\text{V} \leq U_R < 25\text{V}$ $\text{tg } \delta \leq 700 \times 10^{-4}$ $25\text{V} \leq U_R < 50\text{V}$ $\text{tg } \delta \leq 500 \times 10^{-4}$ $U_R \geq 50\text{V}$ $\text{tg } \delta \leq 350 \times 10^{-4}$ ※Note: $C_R \geq 1\mu\text{F}$ $\text{tg } \delta \leq 10\%$;	2X1 & X5R: $C_R \leq 10\mu\text{F}$ 1kHz $\pm 10\%$ 1V $\pm 0.2\text{V}$ $C_R > 10\mu\text{F}$ 120Hz $\pm 10\%$ 0.5V $\pm 0.2\text{V}$
3	Insulation Resistance	10000M Ω or 100M $\Omega \cdot \mu\text{F}$ whichever is less		Voltage shall be applied with follow conditions: $U_R \leq 500\text{V}$ U_R $U_R > 500\text{V}$ 500V Voltage applying time shall be 60 ± 5 seconds. Charging and discharging currents shall be 50mA or less.
4	Dielectric Strength	No breakdown or visual defects		Voltage shall be applied with follow conditions for 5 seconds: $U_R \leq 200\text{V}$ 2.5 U_R $U_R = 250\text{V}$ 2.0 U_R $U_R = 500\text{V}$ 1.5 U_R $U_R \geq 1000\text{V}$ 1.2 U_R Charging and discharging current shall be 50mA or less.

» PACKAGING

PACKAGING STYLE

T=Bulk, A=Tape/Reel, B=Tape/Ammo



RADIAL LEADS CERAMIC CAPACITOR

»» CAPACITANCE AND RATED VOLTAGE RANGE

CT4G

Size code	1812													2225								
Wire form	H													H								
Rated voltage(V)	6.3	10	16	25	50	100	200	250	500	630	1k	2k	3k	50	100	200	250	500	630	1k	2k	3k
cap (pF)																						
100																						
120																						
150																						
180																						
220																						
270																						
330																						
390																						
470																						
560																						
680																						
820																						
1000																						
1200																						
1500																						
1800																						
2200																						
2700																						
3300																						
3900																						
4700																						
5600																						
6800																						
8200																						
cap (μF)																						
.010																						
.012																						
.015																						
.018																						
.022																						
.027																						
.033																						
.039																						
.047																						
.056																						
.068																						
.082																						
.10																						
.12																						
.15																						
.18																						
.22																						
.27																						
.33																						
.39																						
.47																						
.56																						
.68																						
.82																						
1.0																						
1.5																						
2.2																						
3.3																						
4.7																						
6.8																						
10.0																						
22.0																						
33.0																						
47.0																						
100.0																						
150.0																						
220.0																						

2X1
X5R